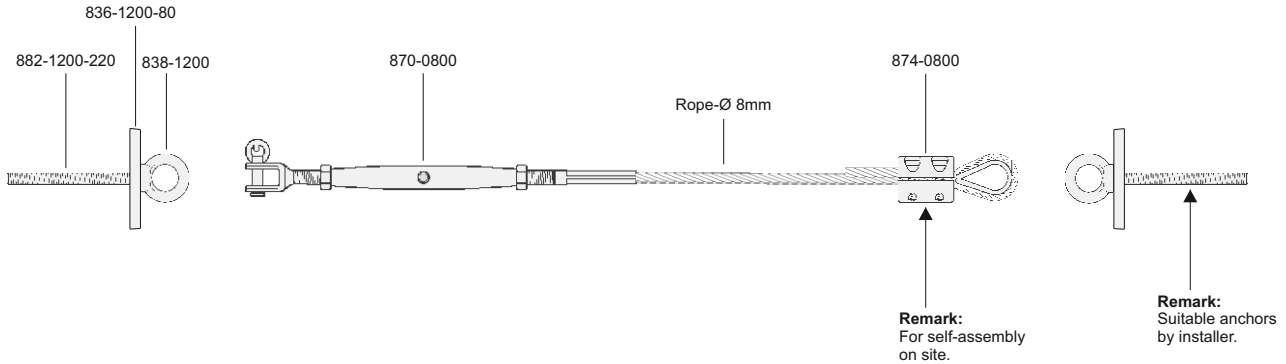




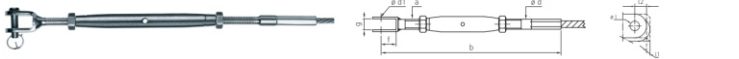
TECHNICAL SUMMARY

X-LED Catenary

ROPE SYSTEM



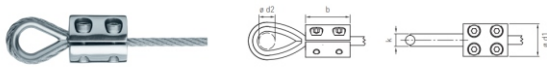
SPANNSCHLOSS MIT GABEL, VERPRESST_TURNBUCKLE WITH FORK, SWAGED



Artikelnummer Part number	a	b	f	g	ø d	ø d1	ø Seil ø rope	Spannweg Adjustment	kN	l1	l2	ø l
870-0800	M12	368	25	14	13	12	8	+46 l -70	49,4	13	20	12,5

Werkstoff 1.4401 | kN = Bruchkraft_Material AISI 316 | kN = breaking load

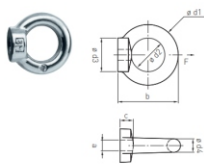
SCHLAUFENVERSCHRAUBUNG, ZWEITEILIG, MIT KAUSCHE_LOOP CLAMP RING WITH THIMBLE



Artikelnummer Part number	b	k	ø d1	ø d2	ø Seil ø rope	kN
874-0800	42	12	28	17,5	8	13

Werkstoff 1.4401 | Nicht geeignet für Spiralseile | kN = Bruchkraft_Material AISI 316 | Not suitable for strands | kN = breaking load

RINGMUTTER_EYE NUT

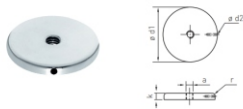


Artikelnummer Part number	a	b	c	ø d1	ø d2	ø d3	ø d4	MBK (kN)	F (kg)
838-1200	M12	53	11	54	30	30	12-15	20,0	340

Werkstoff 1.4401 | DIN 582 | geschmiedet
*Ähnlich DIN 582 | gegossen und poliert
MBK= Mindestbruchkraft
F = Tragfähigkeit

Material AISI316 | DIN 582 | drop-forged
*casted and mirror polished
MBK= Breaking load
F = Working load limit

ABDECKSCHEIBE MIT INNENGEWINDE ODER DURCHGANGLÖCH_COVER DISK WITH INTERNAL THREAD OR THROUGH HOLE



Artikelnummer Rechtsgewinde Part number RH thread	a	ø d1	ø d2	r	k
836-1200-80	M12	80	3,5	3	6

Werkstoff 1.4404_Material AISI 316L

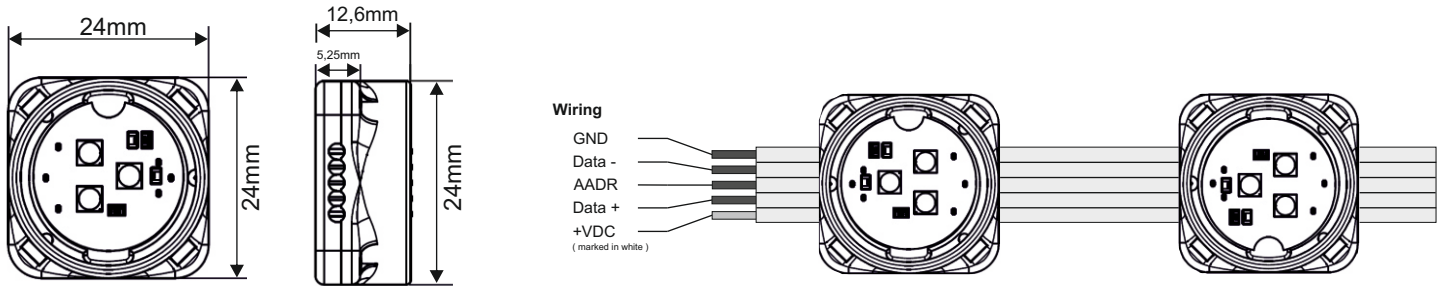
GEWINDESTIFT_THREADED ROD



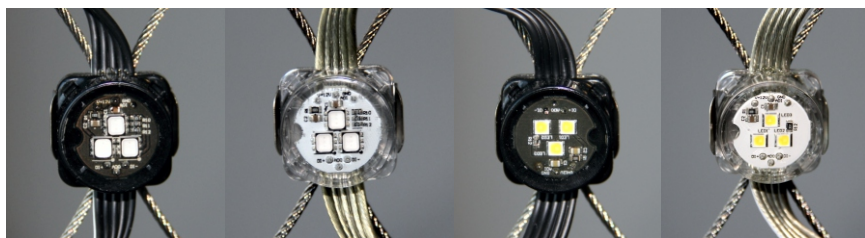
Artikelnummer Rechtsgewinde Part number RH thread	a	c
882-1200-220	M12	220

Werkstoff 1.4404_Material AISI 316L

SPECIFICATION LED DOT



	RGB		RGB		White - 4000K		White - 4000K		RGBW	
	XLED-DOT-B-RGB	XLED-DOT-T-RGB	XLED-DOT-B-RGB-REF	XLED-DOT-T-RGB-REF	XLED-DOT-B-W	XLED-DOT-T-W	XLED-DOT-B-W-REF	XLED-DOT-T-W-REF	XLED-DOT-B-RGBW	XLED-DOT-T-RGBW
Color of housing and ribbon cable	black	transparent	black	transparent	black	transparent	black	transparent	black	transparent
Light output per LED-Dot	11cd	11cd	42cd	42cd	24cd	24cd	53cd	53cd	16cd	16cd
Max. power consumption per LED-Dot	1,0W	1,0W	1,0W	1,0W	0,8W	0,8W	0,8W	0,8W	1,3W	1,3W
Operating Voltage	17 -20 V	17 -20 V	17 -20 V	17 -20 V	17 -20 V	17 -20 V	17 -20 V	17 -20 V	17 -20 V	17 -20 V
Beam angle	120°	120°	60°	60°	120°	120°	60°	60°	120°	120°
Max. number of LED-Dots per DMX UV	168								128	
Max. length of LED-LINE	20 - 60m									
Protection level	IP65									
Operation temperature	-30°C / +50°C									
Storage temperature	-20°C / +90°C									
Fire protection	UL 94 HB									
Control protocol	DMX512-A / ArtNet									



XLED-DOT-B-RGB XLED-DOT-T-RGB XLED-DOT-B-W XLED-DOT-T-W



XLED-DOT-B-RGB-REF XLED-DOT-T-RGB-REF XLED-DOT-B-RGBW XLED-DOT-T-RGBW

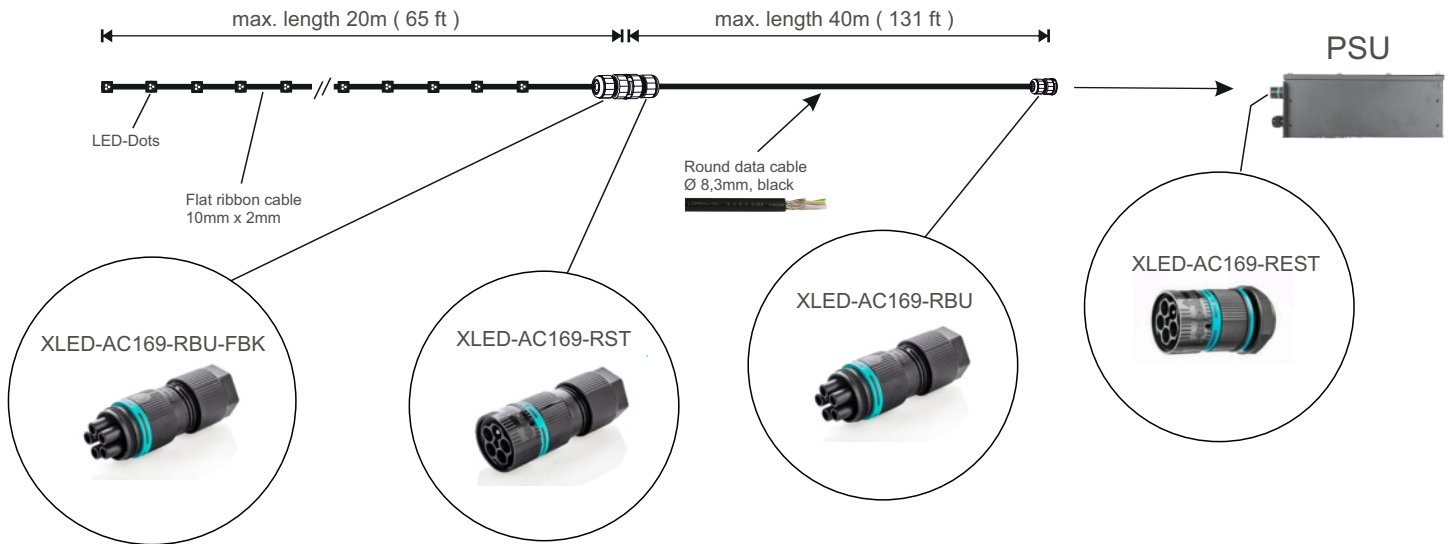
Max. number of LED-Dots per LED-Line:

RGB / pure white: 56 pc.

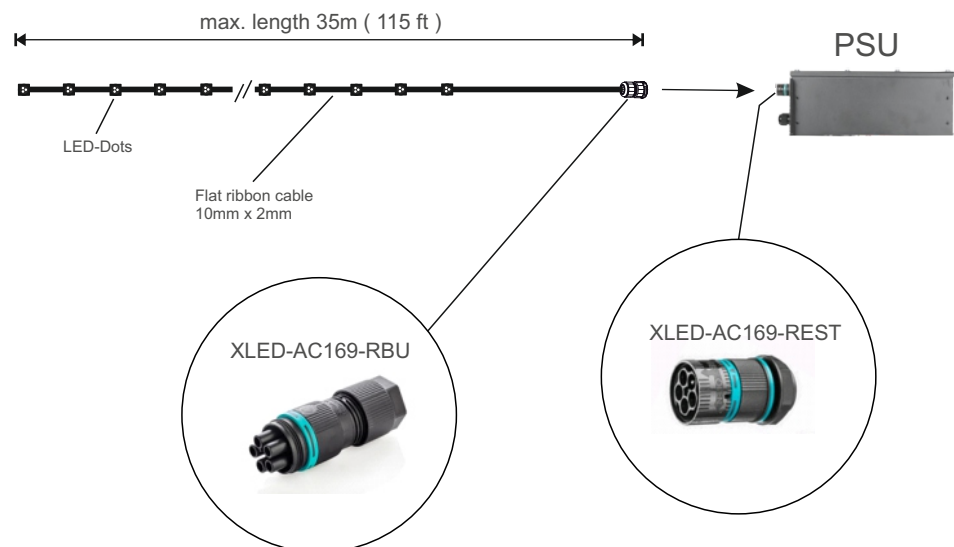
RGBW: 42 pc.

SPECIFICATION LED LINE

Option 1

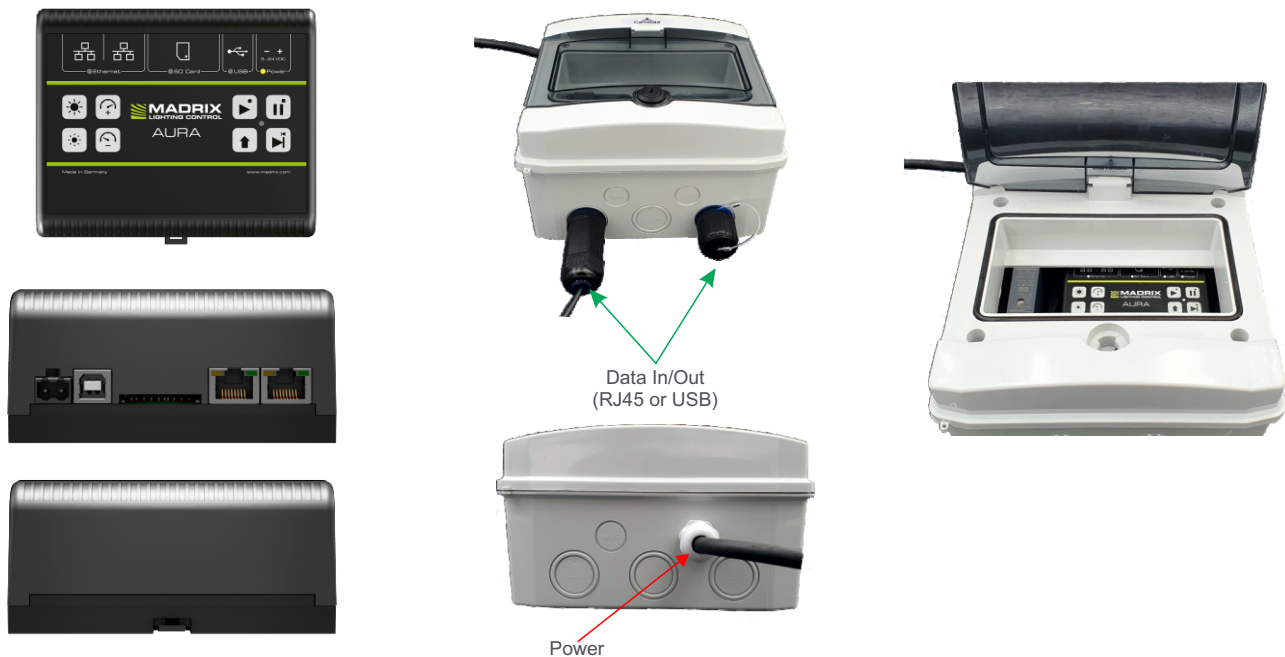


Option 2



SPECIFICATION CONTROLLER / PSU

Stand-alone playback unit



Stand-Alone Playback:

Independently run the most sophisticated light shows from this energy-efficient playback unit via Art-Net or Streaming ACN. Easily control up to 8 or 32 universes per device.

Live Recording:

Record any Art-Net or Streaming ACN network stream onto the inserted memory card. Unlike any other solution, recording a beautiful light show with MADRIX 5 is as easy as pressing record and play.

Central Hub:

Simply connect compatible MADRIX hardware interfaces or third-party nodes to provide the correct output for your lighting fixtures.

Time-Controlled Shows:

Run scenes automatically with the help of the internal clock as well as the available sunrise and sunset timers.

Master-Slave Synchronization & Scalability:

Manage large projects simply by connecting several units. The entire group is automatically synchronized across all DMX universes for flawless and uninterrupted playback.

Web Configuration:

Use the built-in web configuration page to access and change specific device settings, such as the important IP address, subnet mask, playlist settings, and much more.

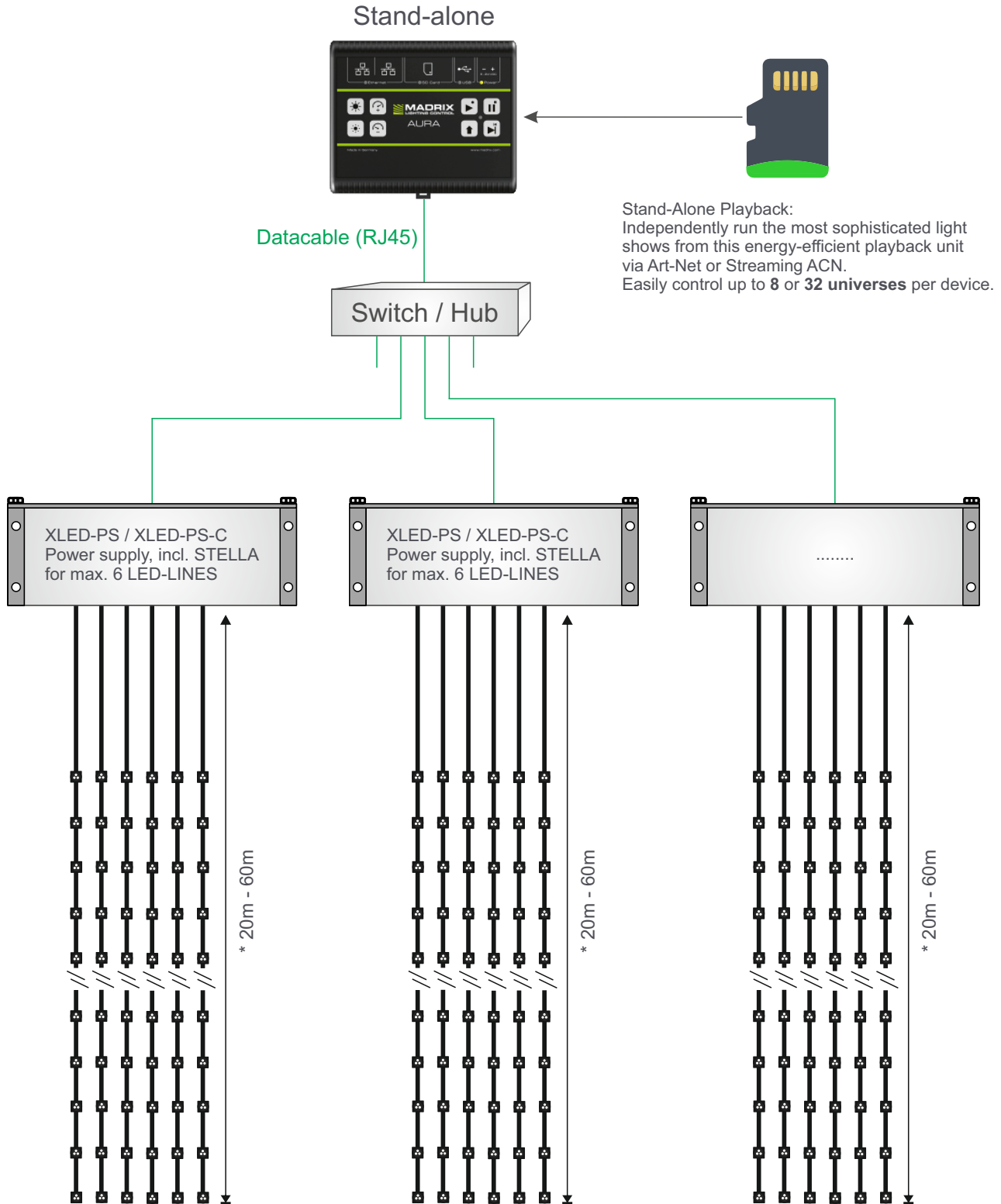
Live Control:

Encased in a non-conductive design for DIN rails or wall mounting, 8 on-device buttons allow for quick playback and recording control. You can also directly adjust the overall speed and intensity.

Remote Control:

Trigger MADRIX AURA via HTTP commands and the built-in web server or use Art-Net/sACN. You can even add MADRIX ORION for interactive installations.

SPECIFICATION CONTROLLER / PSU



* LED Line configuration, please see X-LED LINE - Technical summary.

SPECIFICATION CONTROLLER / PSU

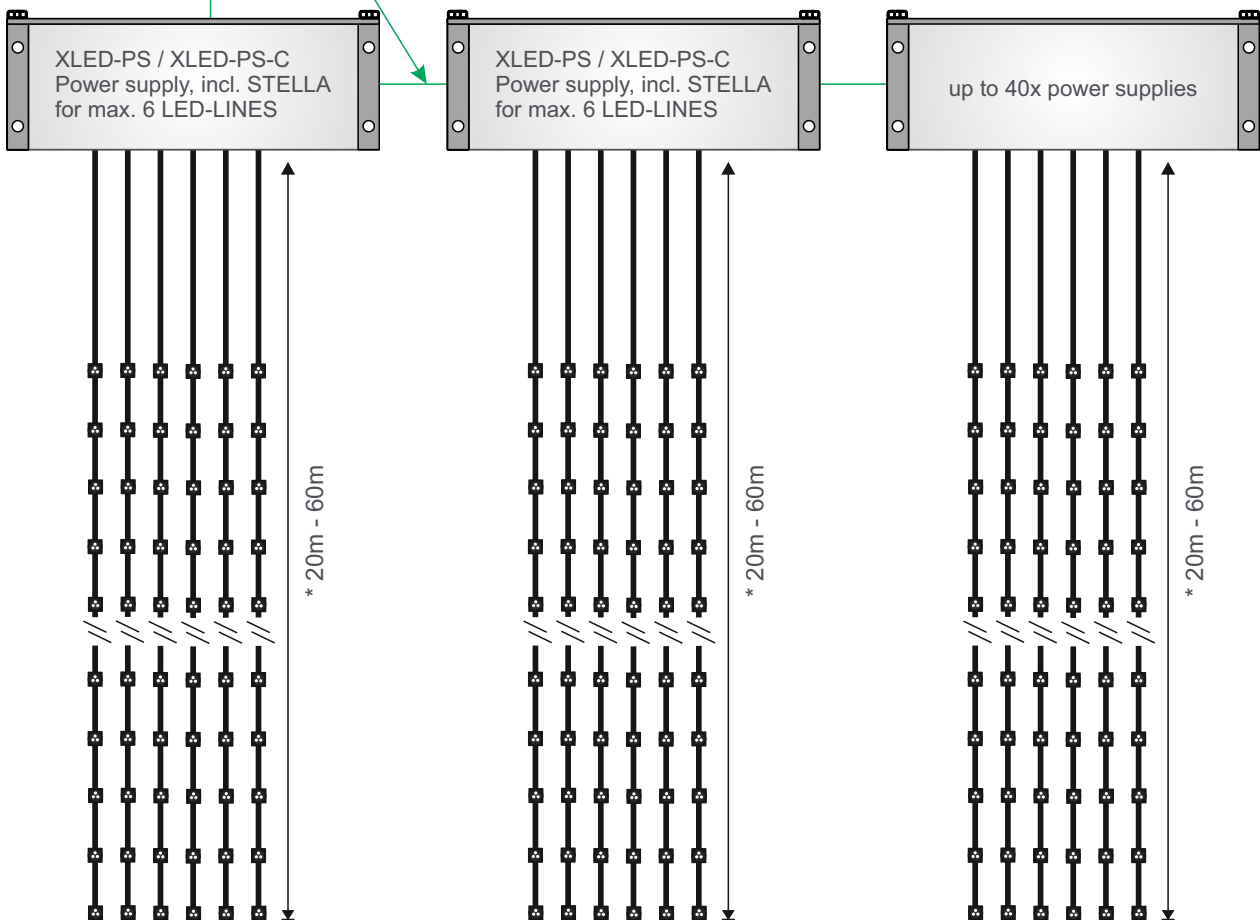
Stand-alone



Stand-Alone Playback:
Independently run the most sophisticated light shows from this energy-efficient playback unit via Art-Net or Streaming ACN.
Easily control up to **8** or **32 universes** per device.

Daisy-Chain Network connection

Datacable (RJ45)



* LED Line configuration, please see X-LED LINE - Technical summary.

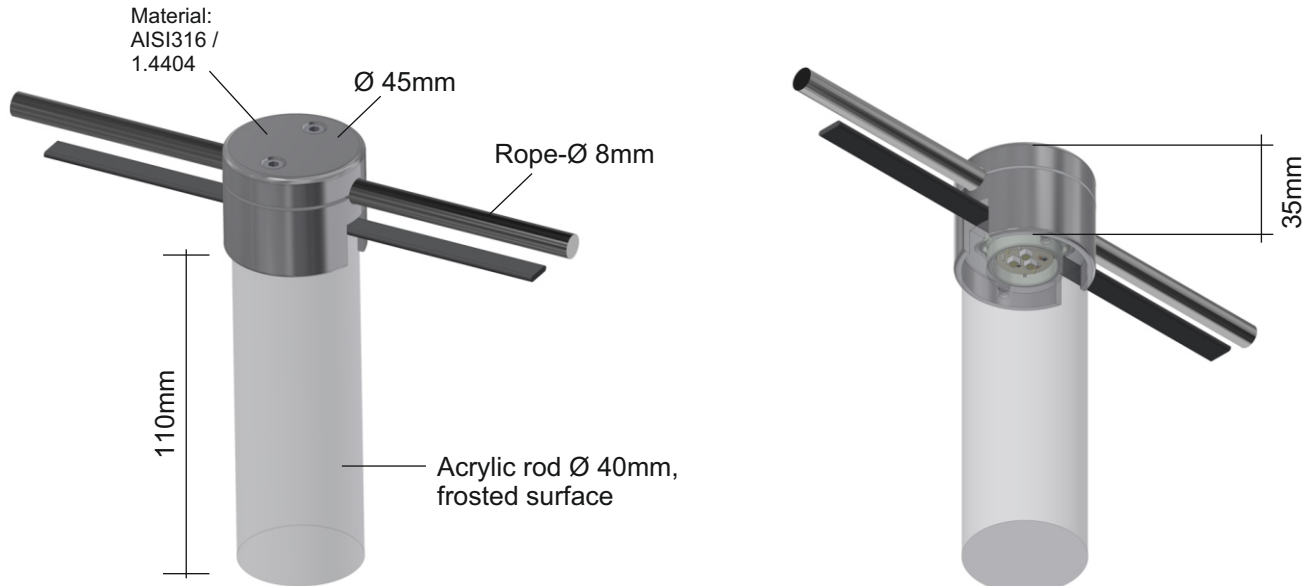
SPECIFICATION CONTROLLER / PSU



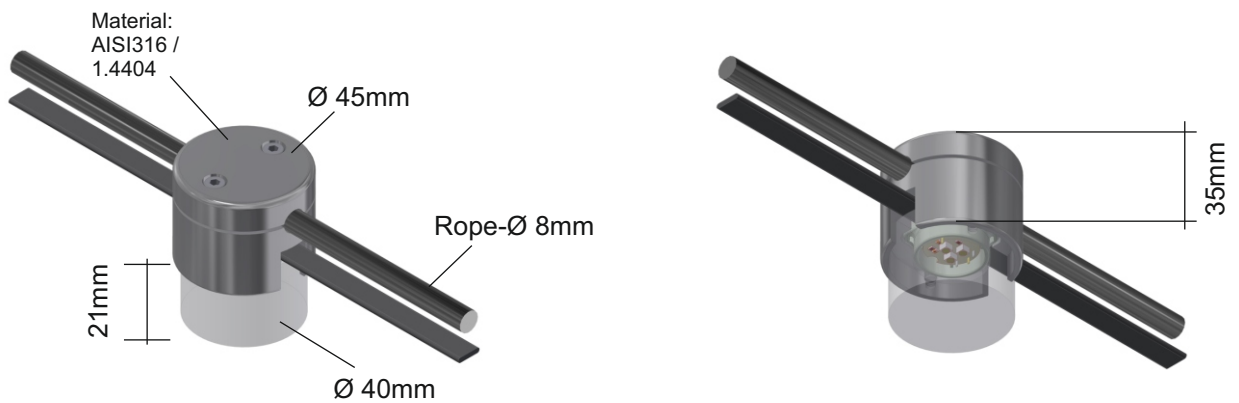
Connector groups	2 x 3 groups
Connector secondary	max. 168 Dots per DMX Universe
Fuses	5 fuses (per DMX-splitter)
Voltage range	90 - 305 VAC (L/N/PE max. 4mm ²) 127 - 431 VDC (L/N/PE max. 4mm ²)
Rated power	2x 300 Watt
Rated current	2x 15 A
Frequency	50-60 Hz
PF	> 0,94
Voltage adj. range	max. 20 VDC (per DMX-splitter / Group)
Current adj. range	7.5 A - 15 A (per DMX-splitter / Group)
Inrush current	COLD START 2x 70 A at 230 VAC
Operating temperature	-20°C to +50°C
Protection level	IP65 - outdoor rated
Size	W: 260mm (230mm) D: 360mm H: 125mm
Network connection	Art-Net, Daisy-Chain Support
Control	2 x DMX512A
Housing	Aluminum, black or grey powder coated
Operating features	Temperature monitoring (only with Controller) Power In / Power Out
Mounting options	Wall mounting, horizontal, vertical

SPECIFICATION FIXTURE

XLED-AR120-S



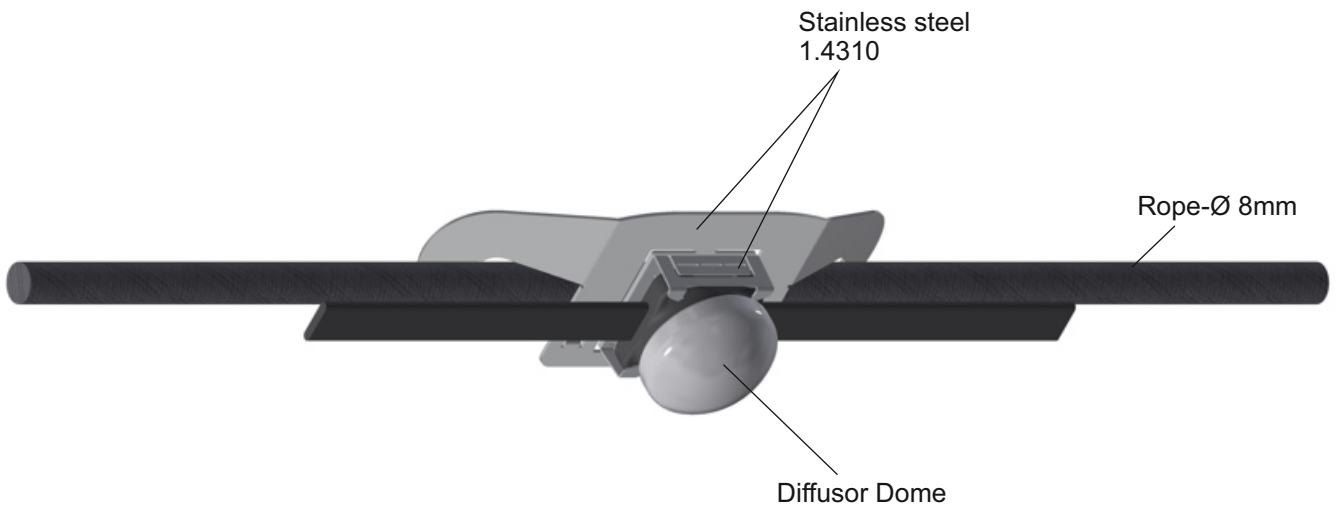
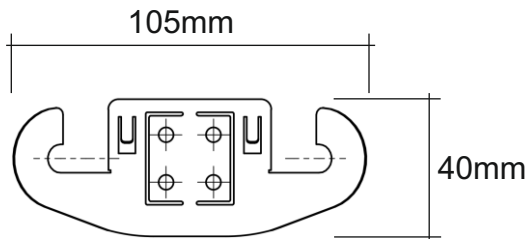
XLED-AR30-S



* Further length of Acrylic rods on request based on a minimum quantity of 200pc.

SPECIFICATION FIXTURE

XLED-KL-D-S



SPECIFICATION FIXTURE

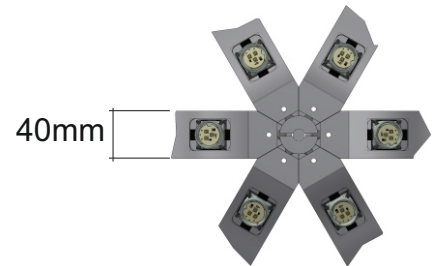
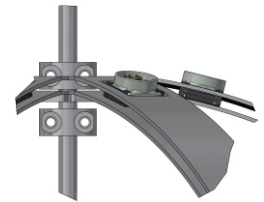
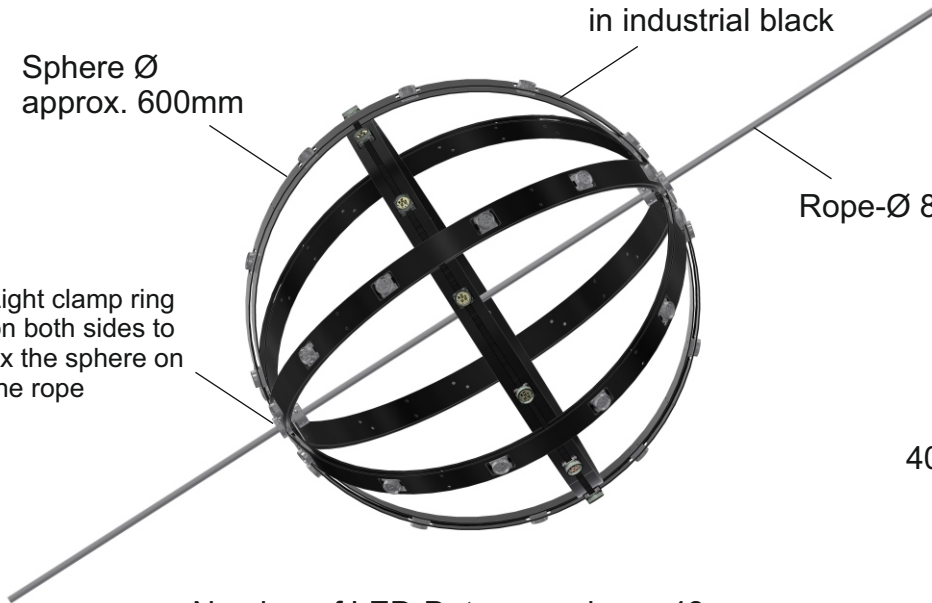
XLED-SPH-600-48

Stainless steel
AISI316 colored
in industrial black

Sphere Ø
approx. 600mm

Rope-Ø 8mm

Light clamp ring
on both sides to
fix the sphere on
the rope

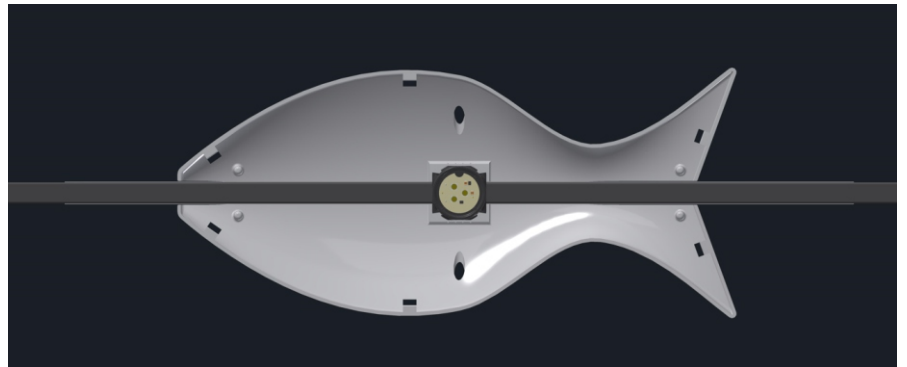
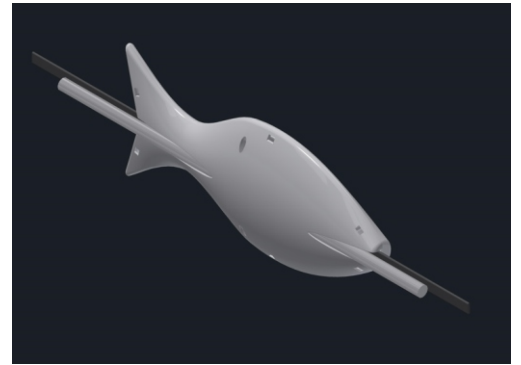
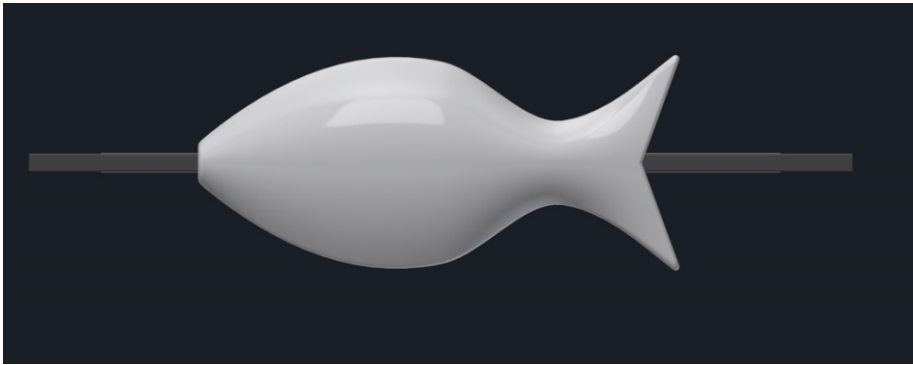


Number of LED-Dots per sphere: 48 pc.
Pitch approx. 160mm

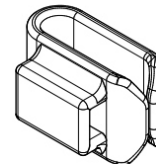
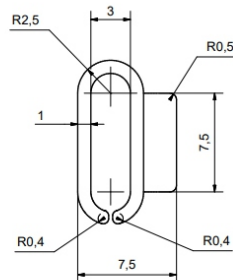
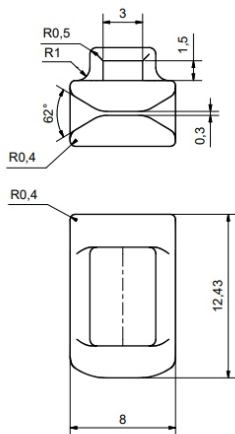
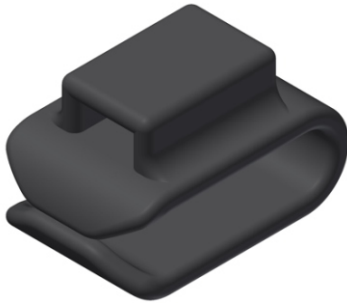


* Further diameter of the sphere on request based on a minimum quantity of 20 pc. each size.

CUSTOM DESIGN OPTIONS



ACCESSORIES



Diese Zeichnung ist Eigentum der Carl Stahl ARC GmbH und darf ohne schriftliche Zustimmung weder kopiert noch an Dritte weitergegeben werden. Copying of this document and giving it to others, use or communication of the contents are forbidden without express authority. Drawings are valid to the extent of change.

Abmessungstoleranzen DIN ISO 2768 - mK	Form- und Lagertoleranzen DIN ISO 8015	Oberflächen DIN ISO 1302	Werkstückkanten ISO 13715	Alle Maße in mm Projektion 1	Revisions
XKD-KC-00007			RAL 9005	-	
Kabelclips / Cableclips					
Kabelclip V7					
Artikelbezeichnung					
Artikelbeschreibung / Ausführung					
Carl Stahl ARC GmbH Sperrenstrasse 2 73079 Stuttgart 1 Phone: +49 (0) 7142 / 84 81 50 100 Fax: +49 (0) 7142 / 84 81 50 105 E-Mail: architektur@carlstahl.com www.carlstahl-architektur.com			Material (DIN): PA6		
			Behandlung:		M 5 : 1
			Oberfläche:		
			Ursprung:		Dok.-Nr.: ENG-2051226.dwg A3

NOTE:

This equipment has been tested and found to comply with the limits for a class a digital device, pursuant to part 15 of the FCC rules. These limits are designed to provide reasonable protection against harmful interference when the equipment is operated in a commercial environment. This equipment generates, uses, and can radiate radio frequency energy and, if not installed and used in accordance with the instruction manual, may cause harmful interference to radio communications. Operation of these equipment in a residential area is likely to cause harmful interference in which case the user will be required to correct the interference at his own expense.

„This Class (A) digital apparatus complies with Canadian ICES-003“

COPYRIGHT:

©Carl Stahl ARC GmbH. All rights reserved.

Specifications are subject to change without notice.

No representation or warranty as to the accuracy or completeness of the information included herein is given and any liability for any action in reliance thereon is disclaimed.

All trademarks are owned by Carl Stahl ARC GmbH or their respective owners.

WARRANTY:

We provide for our LED-Dots (XLED-DOT-...-...), LED-Lines (XLED-LINE-...-...) and power supply units (XLED-PS-...-...) a warranty of 5 years.

Any other system related products (e.g. products from other manufacturers) are covered by their standard warranty.

Within the warranty period a failure rate of 3 % could occur. This failure rate is no claim for warranty.

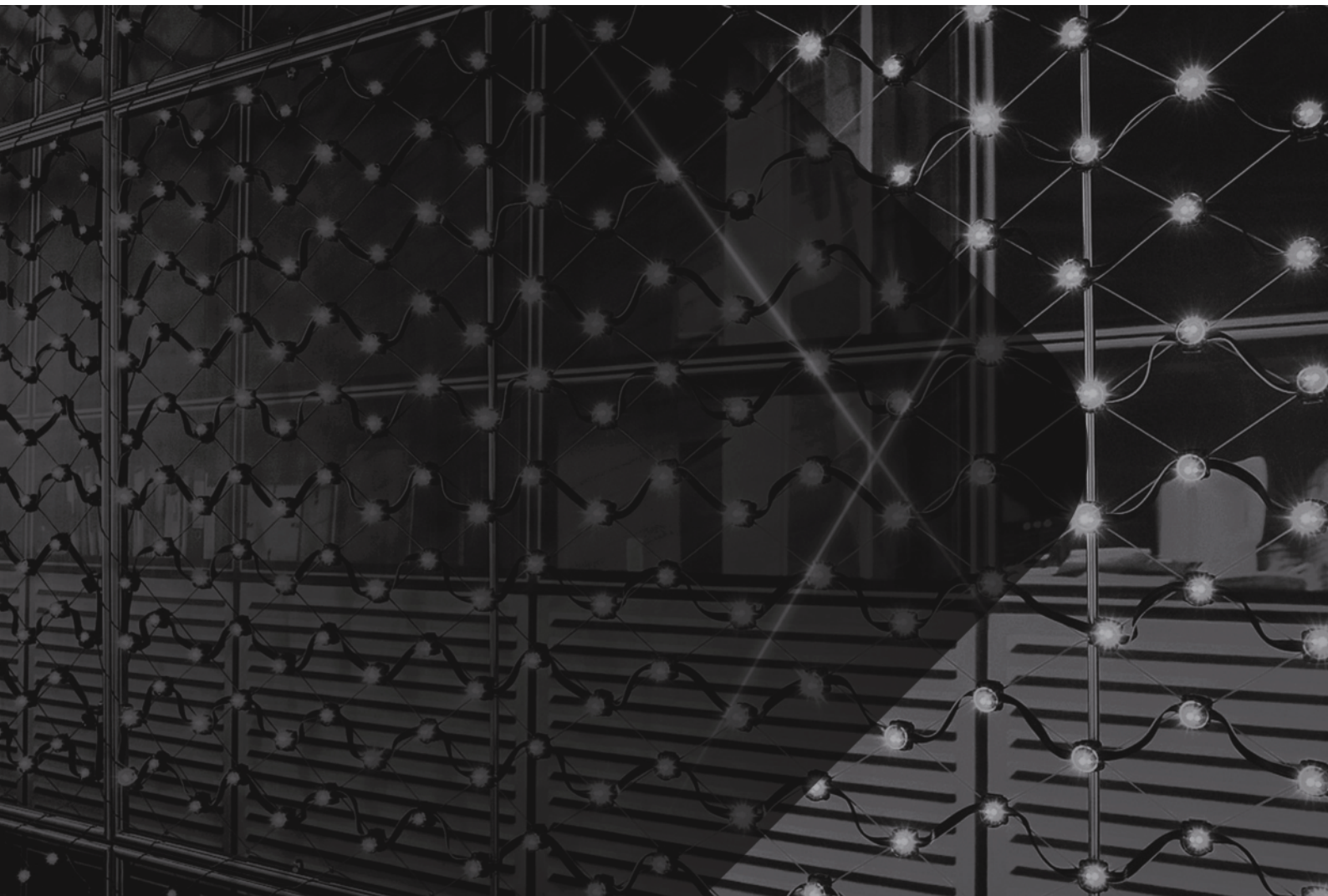
Any visual changes due to UV, salt or other environmental impacts, which doesn't effect the functional behavior of the product, aren't covered in this warranty.

We advise to order a corresponding number of spare parts. For professional replacement we provide a training by our specialists.

Requirement for our warranty is the compliance with our installation and maintenance guidelines.

Due to side and application conditions problems can occur, which are not covered by the warranty, except they were named specifically by the client in advance. The installation has to be made by trained and skilled workers.

For all further conditions and claims our General Sales and Planning Terms are valid. They are available for Download on our website.



CARL STAHL ARC GMBH
Siemensstraße 2
D-73079 Süssen

Fon +49 (0) 7162 / 948 150 300
Fax +49 (0) 7162 / 948 150 305

x-led@carlstahl-arc.de
www.x-led.de